

HICKMAN[®]

Engineered Systems

An OMG Roofing Products Company

Perimeter edge metal for low slope roofs. Copings, gravel stops, roof edging, gutters, downspouts, reglets and trims.



Cumming Aquatic Center
Photo Courtesy G. Gotfredson

Metal Edge Systems engineered and tested to meet the ANSI/SPRI ES-1 Wind Design Standard as required in the International Building Code

For information about any of our products call **828.676.1700** or visit www.wph.com

*Hickman:
The best at
keeping the
weather out
of the building
envelope.*

PROVEN

- Category 5 warranty guarantees products to withstand up to 155 mph winds
- Products designed and tested to meet ANSI/SPRI ES-1
- Industry leader for more than 65 years—invented first engineered roof edge system
- First roof edge system to receive UL Classification

CAPABLE

- Wide range of Factory Mutual approved products
- More than 25 roof edge system patents granted
- Continuous R&D to develop innovative products

CUSTOMER FOCUSED

- Rapid delivery: 7–10 days on standard products
- Highly experienced Customer Service team

	Page No.	Single Ply	BUR & Mod Bit	Maximum FM Rating	Warranty
COPING					
Permasnap® Plus	4	•	•	1-180	25-Year Category 5
Permasnap®	4	•	•	1-90	20-Year Excel
Permasnap® 2 Plus	4	•	•		25-Year Category 5
Permasnap® 2	4	•	•		20-Year Excel
Continuous Cleat Plus	5	•	•	1-180	25-Year Category 5
Continuous Cleat	5	•	•	1-90	20-Year Excel
Shadowline	5	•	•		20-Year Excel
BullNoze	6	•	•	1-135	20-Year Excel
Radius & Miters	7	•	•	N/A	Same as Coping
FASCIA					
Econosnap®	8	•		1-225	20-Year Excel
Extruded TerminEdge™	9	•		1-540	25-Year Category 5
TerminEdge™	8	•		1-465	25-Year Category 5
Ext. TerminEdge™ for Mod Bit	9		•	1-540	25-Year Category 5
Safeguard®	10		•	1-255	25-Year Category 5
Safeguard® NP	10	•	•	1-645	20-Year Excel
MBED®	11		•	1-90	20-Year Excel
WATER CONTROL					
Gutter & Downspouts	12	•	•	N/A	5-Year M&W*
Scuppers & Conductors	12	•	•	N/A	5-Year M&W*
OTHER PRODUCTS					
EcoEdge® Soil Guard & Drain Box	13	•	•	N/A	5-Year M&W*
EdgeBox™ Perimeter Blocking	14	•	•	N/A	5-Year M&W*
Permaspan™ Expansion Joint	15	•	•	N/A	5-Year M&W*
Accent Panels	16				
Counter Flashing	17	•	•	N/A	5-Year M&W*

* 5-Year MATERIAL & WORKMANSHIP

Products Tested to Meet ES-1 and the International Building Code

The International Building Code (IBC) includes the following:

“1505.5 Edge securement for low-slope roofs. *Low-slope membrane roof system metal edge securement, except gutters, shall be designed and installed for wind loads in accordance with Chapter 16 and tested for resistance in accordance with ANSI/SPRI ES-1, except the basic wind speed shall be determined from Figure 1609.”*

Designing roof edge systems that meet ANSI/SPRI ES-1 Wind Design Standard is not just a good idea, it’s now the law. We’ve been designing to that standard for years. In fact, we championed the development of the standard with SPRI, the sheet membrane and component suppliers to the commercial roofing industry trade association.

We embrace this standard because it means a safer, more wind resistant roof edge, which leads to a safer, longer lasting roof. In fact, 59% of low-slope roof failures begin at the roof edge, according to Factory Mutual*. It’s critical that we design and test our products to protect owner investments, and we promise to continue to meet these high standards.

Hickman products are now stamped with “ES-1 tested” for easy visual identification. Certificates of Compliance are also issued by Hickman as proof that our products meet the ANSI/ SPRI ES-1 standard. Our in-house testing capabilities allow us to test and issue a Certificate of Compliance on custom designs in addition to our standard products.

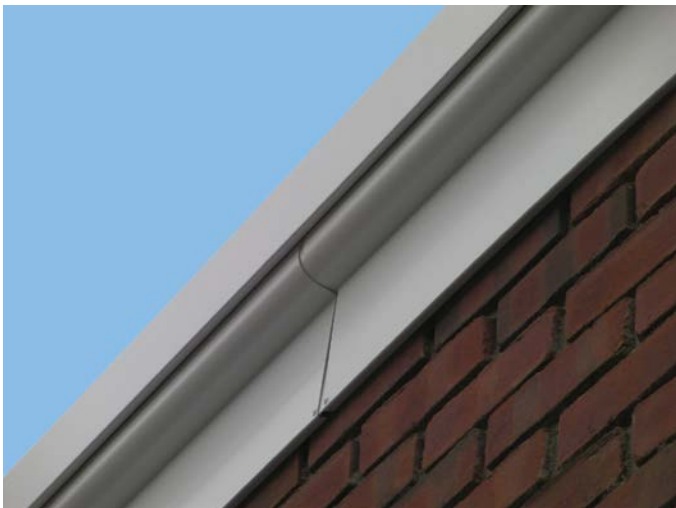
**A study of 145 FM Global windstorm losses involving built-up roof (BUR) covers showed that 85 (59%) occurred because the perimeter failed. Source: FM Global Property Loss Prevention Data Sheet 1-49, ‘Perimeter Flashing’*

Custom Capabilities

Hickman Engineered Systems, an OMG Roofing Products company, is one of the few metal edge manufacturers that specialize in custom design. We take great pride in the craftsmanship and engineering that go into the products we engineer and manufacture.

We invented the first roof edge system and innovation and custom capabilities have been a tradition for us since 1945. Hickman products keep wind and water out of the building envelope and our top-notch engineering department allows for creativity with edge system designs. We enjoy creating custom products to not only meet the creative needs of architects across the country, but also exceed building code requirements.

Our capabilities cover a wide range. Whether we are designing attractive coping to meet hurricane force winds, fitting intricate curves, engineering custom profiles for restoration, or matching colors to customer specified chips, we love a challenge!



Sylvan Elementary School, Sylvania, OH
Custom Designed and Engineered Fascia System



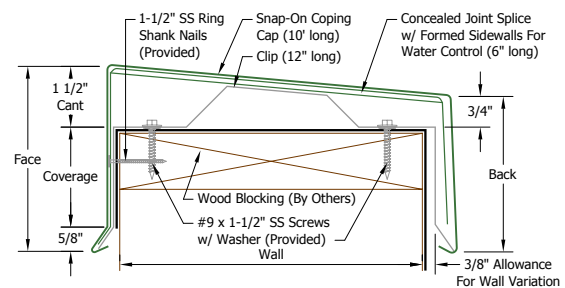
Red Robin Restaurants
Radius and Arch Edge Systems

PERMASNAP® & PERMASNAP® PLUS!

Our most popular product, Permasnap coping's internal gutter system eliminates caulked joints or messy butyl sealants.

- Snap-on design eliminates exposed fasteners.
- Internal metal chair drainage system eliminates caulked joints.
- True welded radius, matching corners, end caps, and other accessories are factory fabricated.
- FM Approved for maximum wind rating Class 1-90.
- 20-Year Excel Warranty for wind speeds up to 110 mph.
- Pre-punched holes and supplied stainless steel fasteners for proper attachment and fast installation.

Permasnap Plus! with a 16-gauge galvanized steel cleat is FM Approved for maximum wind rating Class 1-180 and has our Category 5, 25-Year, 155 mph Warranty.

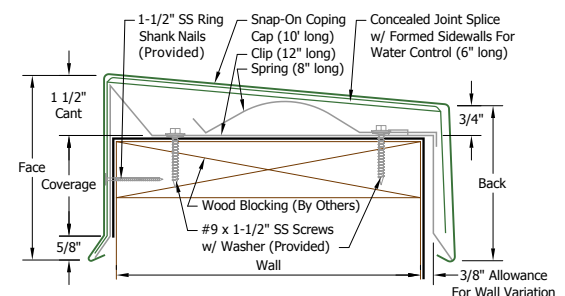


PERMASNAP® 2 & PERMASNAP® 2 PLUS!

Permasnap® 2 Coping is specifically engineered to meet the recently developed SPRI/FM 4435/ES-1 Wind Design Standard.

- The galvanized steel anchor cleat incorporates a 26-gauge stainless steel spring that provides strong uplift performance.
- Internal metal chair drainage system eliminates caulked joints.
- True welded radius, matching corners, end caps, and other accessories are factory fabricated.
- Standard Permasnap 2 with a 20-gauge galvanized cleat has a 20-Year Excel Warranty for wind speeds up to 110 mph.
- Pre-punched holes and supplied fasteners for proper attachment and fast installation.

Permasnap® 2 Plus! with a heavy 16-gauge galvanized cleat has a 25-Year Category 5 Warranty for wind speeds up to 155 mph.

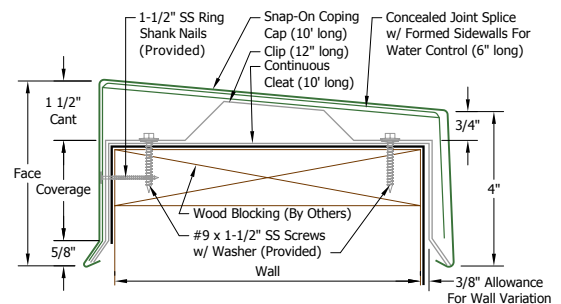


Both Permasnap and Permasnap Plus! have a metal plate as an internal gutter system and can be fabricated for any width wall from 6" to 32". The splice plate offers excellent water control at the joints without the need for caulking or messy butyl sealants. The splice plate is fabricated in the same finish and color as the coping cap. Since the splice plate is metal, it can be custom sized for almost any width wall. The splice plate has concealed nails through pre-punched holes keeping the splice plate in place for easy installation and to prevent migration. Stainless steel fasteners are provided for wood nailer application.

CONTINUOUS CLEAT & CONTINUOUS CLEAT PLUS!

Continuous Cleat Coping features a continuous 24-ga. anchor cleat for secure attachment.

- Continuous 24-ga. anchor cleat for secure attachment in high winds.
- Standard clips are 20-ga. galvanized steel; Continuous Cleat Plus with 16-ga. clip may be used in extreme wind areas for increased uplift protection.
- Internal metal chair drainage system eliminates caulked joints.
- True welded radius, matching corners, end caps, and other accessories are factory fabricated.
- 20-Year Excel Warranty for wind speeds up to 110 mph; Continuous Cleat Plus has a 25-Year Category 5 Warranty for wind speeds up to 155 mph.
- Pre-punched holes and supplied fasteners for proper attachment and fast installation.



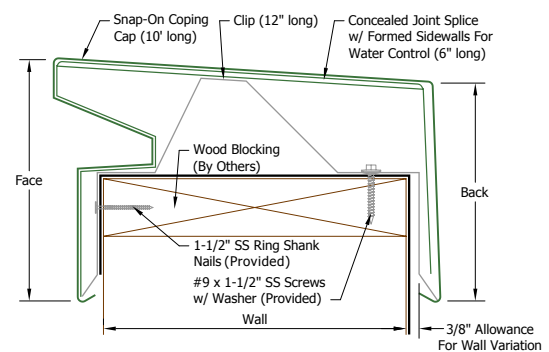
SHADOWLINE COPING

Hickman's Shadowline Coping features an attractive indented profile adding visual depth to the parapet edge.

- Internal metal chair drainage system eliminates caulked joints.
- Matching corners, end caps, and other accessories are factory fabricated.
- Tested to meet the ANSI/SPRI ES-1 Roof Edge Standard Test Protocol RE-3 for parapet wall copings.
- Pre-punched holes and supplied fasteners for proper attachment and fast installation.
- 20-Year Excel Warranty for wind speeds up to 110 mph.

Shadowline Coping is our only product designed by an architect and provides a subtle line where the roof meets the sky for enhanced aesthetics

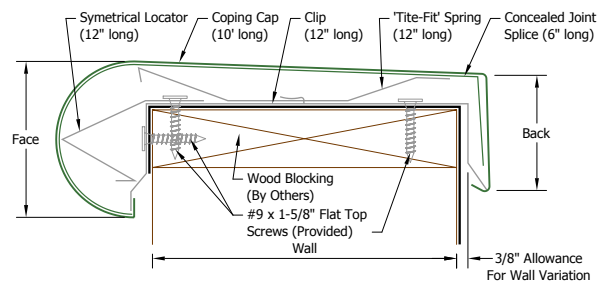
to complement a design and keep the moisture out of a building. The inset reveal is designed to add visual interest and structural rigidity.



BULLNOZE

Hickman's BullNoze parapet wall coping provides the bold look of masonry with the versatility of sheet metal.

- Unique symmetrical locator cleat keeps adjacent pieces in perfect alignment.
- FM Approved for maximum wind rating Class 1-135.
- 20-Year Excel Warranty for wind speeds up to 110 mph.



COPING ACCESSORIES

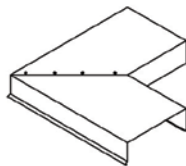
Hickman manufactures an extensive line of factory-fabricated coping accessories that provide superior performance, a precise fit and a beautiful finish for any structure. This line includes corners, end caps, transitions, and pier or pilaster caps, curved or arched coping caps. Factory fabricated for precise fit and beautiful finish.



CORNER OPTIONS

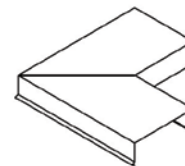
Metal-Lock® Coping Corners

Precision machine cut from 20-year pre-coat Kynar® metal for reduced lead times. Sealed with no through penetrations.



Welded Coping Corners

Fabricated and welded in natural mill aluminum then post coated with a Kynar® or anodize finish.



COPING DESIGN RECOMMENDATIONS FOR OPTIMAL AESTHETICS

Wall Width	Steel		Aluminum			
	24 ga.	22 ga.	.040"	.050"	.063"	.080"
3.5" to 12"	•	•	•	•	•	•
12+ " to 16"		•		•	•	•
16+ " to 24"					•	•
24+ " to 36"						•
36+	Consult Manufacturer					
Max. Leg Length	6"	6"	6"	6"	6"	6"

RADIUS AND ARCH COPING

Hickman Engineered Systems is one of the few companies that can provide fully welded curves to perfectly fit the smooth lines designed into a building. Curved areas are often capped with straight lengths that have been segmented to fit the edge, providing results that are no longer fit the curve. Field measurement and templates provide an exact duplicate of the field conditions, which is then replicated out of metal in the Hickman factory. Whether it is a serpentine wall, a curved entryway, or even an arched feature, our inhouse craftsmanship provides the aesthetic results intended by the designer.



Hyundai Training Center
Montgomery, AL



Greenville Hospital System Rotunda
Greenville, SC



The Monon Center West
Carmel, IN

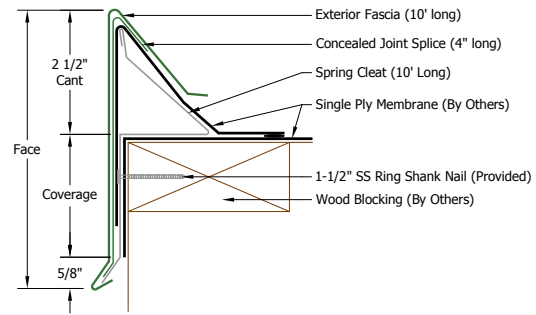


Red Robin Restaurant
Castle Rock, CO

ECONOSNAP®

The low-cost versatile fascia is available in formed galvanized steel and formed or extruded aluminum. Standard face sizes are 5.5", 7", 8.5" and 10". Custom sizes available upon request.

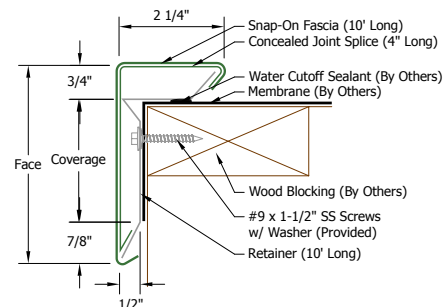
- Snap-on system that doesn't require field crimping assuring fast, clean installation.
- 20-Year Excel Warranty for wind speeds up to 110 mph.
- Extruded aluminum version available in slightly different profile. Available in 6.25", 8" and 10" face sizes.
- FM Approved for maximum wind rating Class 1-180.



TERMINEDGE™

This classic product features a two-piece design with a snap-on fascia and rigid termination bar to assure wind and water stay out of the roof system. Standard face sizes are 3.75", 5.25", 6.75" and 8.25". Custom sizes available upon request.

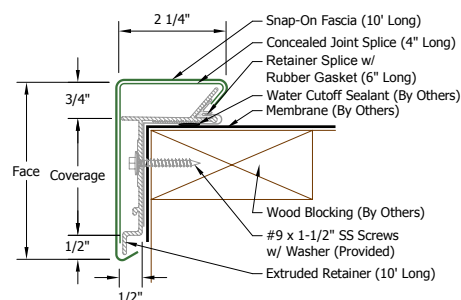
- Clamps membrane against building perimeter like a termination bar.
- Allows use of high-torque screws without penetrating top surface of membrane.
- FM Approved for maximum wind rating Class 1-180 with 20-gauge galvanized steel retainer or Class 1-465 with .050" aluminum retainer.
- Ballasted version available.
- Tested, Certified, and Warranted in wind conditions up to 155 mph. 25-Year, Category 5 Warranty.



EXTRUDED TERMINEDGE™

Hickman's Extruded TerminEdge™ provides the superior performance of formed TerminEdge with the added benefit of a heavy extruded aluminum retainer that comes in four sizes, 3.75", 5.25", 6.75", 8.25" and 11.25".

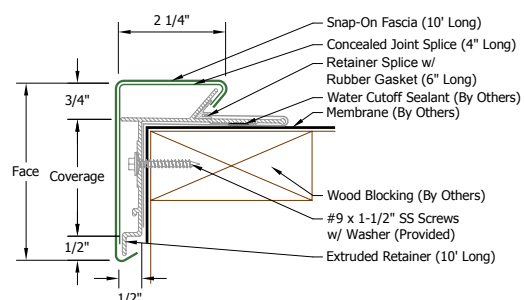
- Clamps roof membrane against building like a termination bar preventing leaks and blow-offs.
- Extruded retainer in five sizes: TEX-375 for one nailer, TEX-525 for two nailers, TEX-675 for three nailers, TEX-825 for four nailers and TEX-1125 for six nailers of coverage.
- Covered by our Category 5, 25-Year Warranty in wind conditions up to 155 mph.
- Ballasted version available.
- Extension cleat engages under the extruded retainer drip allowing for custom face sizes.
- FM Approved for maximum wind rating Class 1-135.



EXTRUDED TERMINEDGE™ FOR BUR & MOD BIT

Hickman's Extruded TerminEdge™ for BUR and modified bitumen roofing has a wide base flange that will secure BUR and modified roofing plies. Standard extruded retainer bases for face sizes 3.75", 5.25", 6.75" and 8.25".

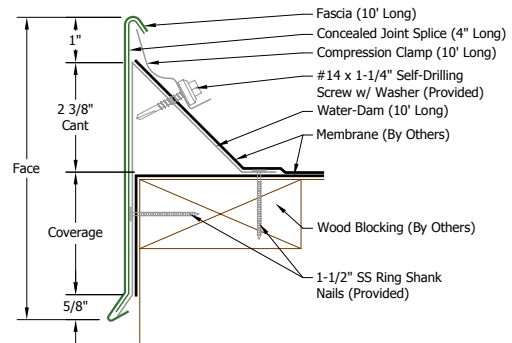
- Clamps roof membrane against building like a termination bar preventing leaks and blow-offs.
- Extruded retainer available for face sizes 3.75", 5.25", 6.75" and 8.25".
- UL Classified to meet the ANSI/SPRI ES-1 Roof Edge Standard.
- Covered by our Category 5, 25-Year, 155 mph warranty.



SAFEGUARD® GRAVEL STOP

Designed with a multi-part technology that prevents shrinking, pull-back and thermal separation of BUR or Mod Bit roofing plies from the roof's edge, Hickman's Safeguard® Gravel Stop has been protecting roofs for over 50 years.

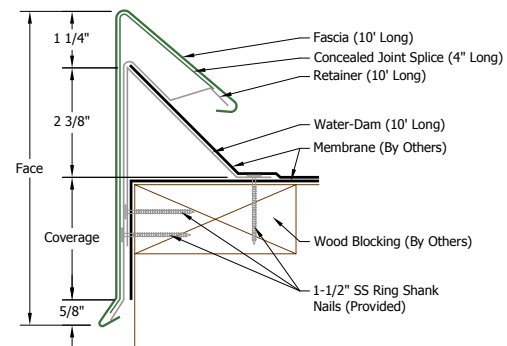
- Safeguard introduced multiple part technology that solved shrinking, pull-back, and thermal separation from roof edges.
- Standard face sizes are 6.25", 7.75", 9.25" and 10.75". Custom sizes available upon request.
- FM Approved for maximum wind rating Class 1-225.
- Extrusions available in 6.25", 8" and 10" face sizes.
- Tested, Certified, and Warranted in wind conditions up to 155 mph. 25-Year, Category 5 Warranty.



SAFEGUARD® NP GRAVEL STOP

Safeguard® NP Gravel Stop grips the roofing membrane without the need for exposed fasteners. Standard face sizes are 5.5", 7", 8.5" and 10". Custom sizes available upon request.

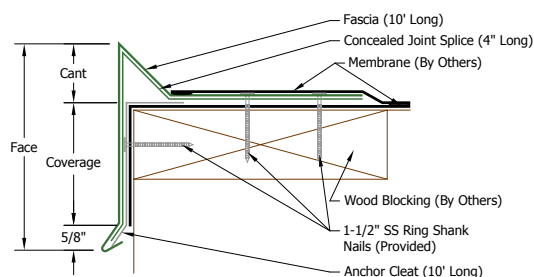
- Non-penetrating version of our original Safeguard has no exposed fasteners.
- FM Approved for maximum wind rating Class 1-165.
- Covered by our 20-Year Excel Warranty for wind speeds up to 110 mph.



MBED®

Hickman's MBED® fascia system uses a continuous pattern of offset holes in the flange through which two layers of roofing plies can bond together, sealing the metal flange between them. Edge and membrane become one to create an exceptional seal. MBED features a 20-year, 110 mph warranty.

- Roofing plies bond together through metal flange to create exceptional seal.
- Gravel stop style to retain gravel and water or Box style for easy drainage.
- Standard face sizes for the Box style are 3.5", 5.0", 6.5" and 8.0" and for the Gravel Stop style 4", 5.5" and 7". Custom sizes available upon request.
- FM Approved for maximum wind rating Class 1-90.



ROOF EDGE ACCESSORIES

RADIUS FASCIA

The fascia and cleat are pre-notched to wrap around the building's edge without segmenting or kinking.



FASCIA SPILLOUT SCUPPER

Factory fabricated spillover channel and hold-down bar allows water to spill off roof at strategic locations.



FASCIA SUMP

Pre-fabricated assembly for downspout water removal. Welded aluminum core-box with fascia cover.



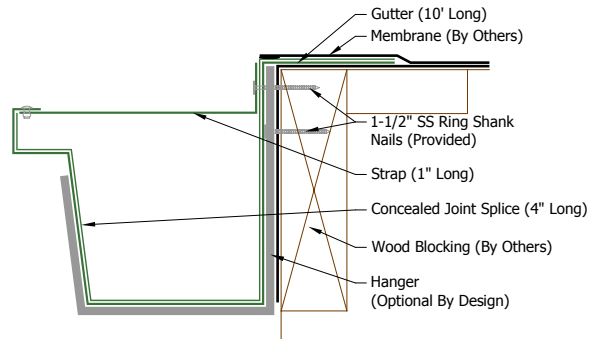
FASCIA DESIGN RECOMMENDATIONS FOR OPTIMAL AESTHETICS

For Face Heights	Galvanized Steel	Formed Aluminum	Cold Rolled Copper
up to 4"	24 ga. (.028", 0.6 mm)	.032" (0.8 mm)	16 oz. (.22", 0.6 mm)
4" to 6"	24 ga. (.028", 0.7 mm)	.040" (1.3 mm)	16 oz. (.22", 0.6 mm)
6" to 8"	24 ga. (.028", 0.7 mm)	.050" (1.3 mm)	20 oz. (.27", 0.7 mm)
8" to 10"	22 ga. (.034", 0.9 mm)	.063" (1.6 mm)	20 oz. (.27", 0.7 mm)
10" to 16"	N/A	.080" (2.8 mm)	N/A

FORMED GUTTER

Hickman's formed gutter is custom sized to meet your special requirements. Designed with internal straps for smooth, clean lines and ease of installation. External hangers are optional.

- Heavy commercial grade water control products custom sized to meet your special requirements.
- Internal straps for smooth clean lines and ease of installation. External hangers are optional. Hangers are designed for snow loads and large water volume.
- Matching corners, end caps, elbows, and other accessories are all factory fabricated.



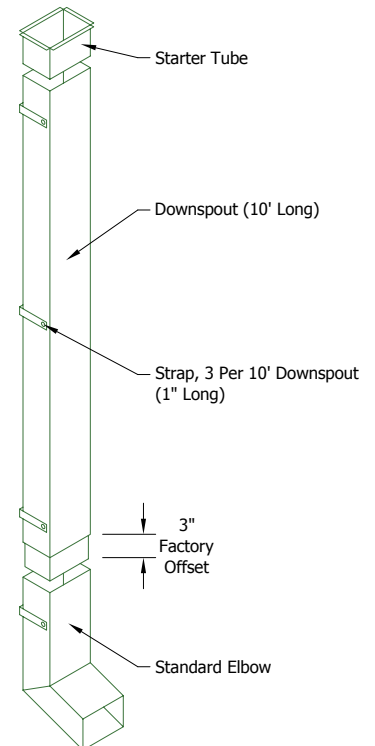
CONDUCTOR HEAD AND THROUGH WALL SCUPPER

Conductor Heads and Through Wall Scuppers are factory welded from .050" or .063" aluminum in your choice of finish. Blanks are cut using computer controlled equipment for precise uniform appearance. Thicker gauges and stainless steel available upon request.



DOWNSPOUT

Roof Drain Manufacturers Association recommends one square inch of cross section to 100 square feet of roof area. Our Engineering Department can assist with answering your water control questions.



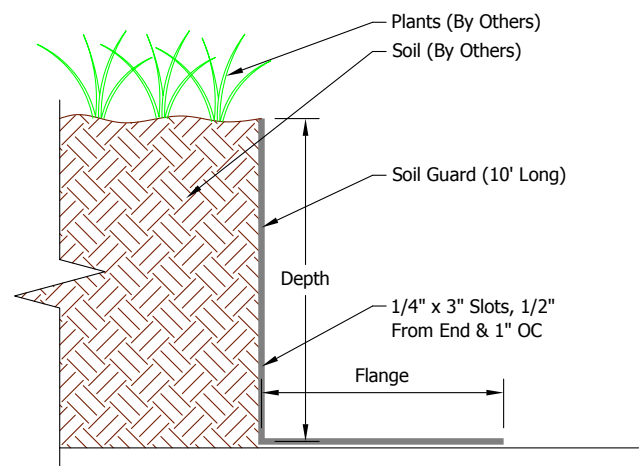
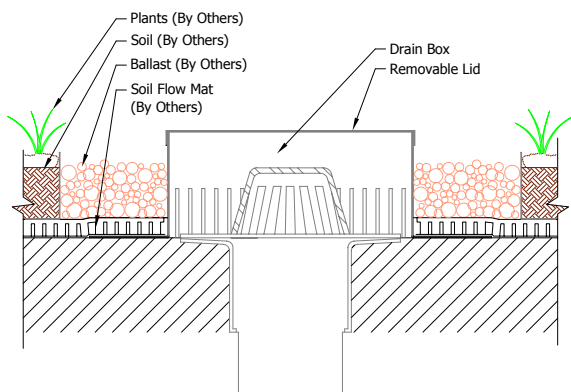
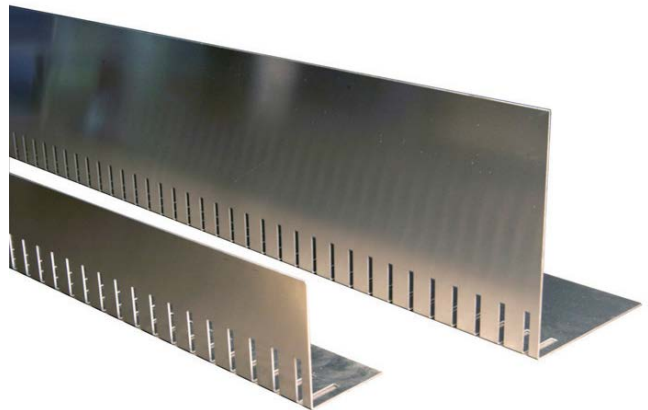
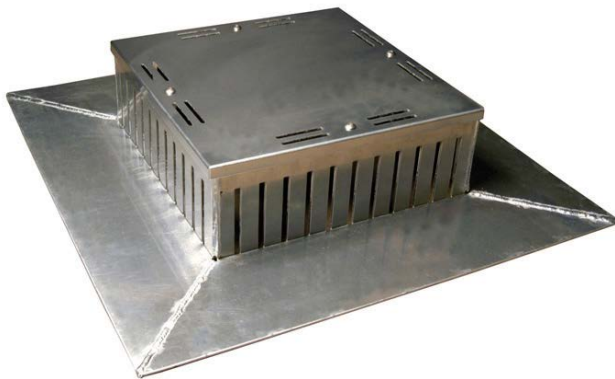
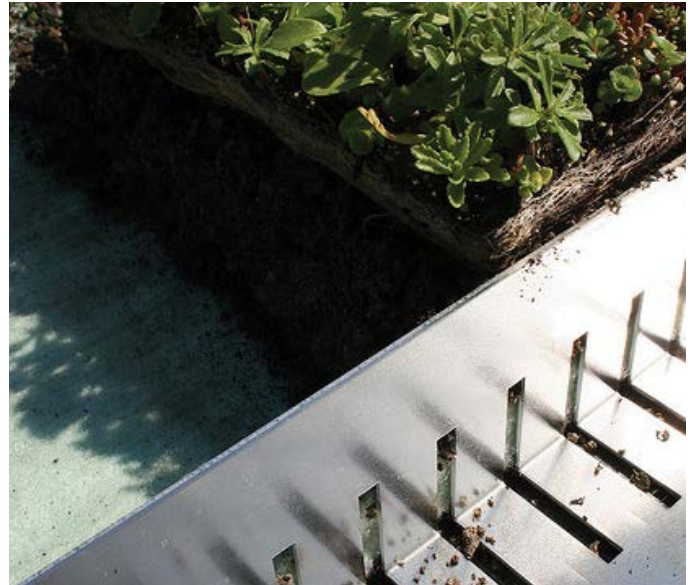
GUTTER DESIGN RECOMMENDATIONS FOR OPTIMAL AESTHETICS

Girth	Galvanized Steel	Copper	Aluminum	Stainless Steel
up to 15"	24 ga. (.028", 0.7 mm)	16 oz.	.32" (0.8 mm)	26 ga.
16" to 20"	24 ga. (.028", 0.7 mm)	16 oz.	.40" (1.0 mm)	26 ga.
21" to 25"	22 ga. (.034", 0.9 mm)	20 oz.	.50" (1.3 mm)	24 ga.
26" to 30"	20 ga. (.040", 1.0 mm)	20 oz.	.63" (1.6 mm)	22 ga.
31" to 35"	18 ga. (.040", 1.0 mm)	24 oz.	N/A	20 ga.
over 35"	16 ga. (.040", 1.0 mm)	N/A	N/A	18 ga.

ECOEDGE®

Hickman EcoEdge® products are perfect components for vegetative roofs. EcoEdge drain box and EcoEdge soil guard offer excellent resistance to corrosion while providing adequate drainage of the growth media.

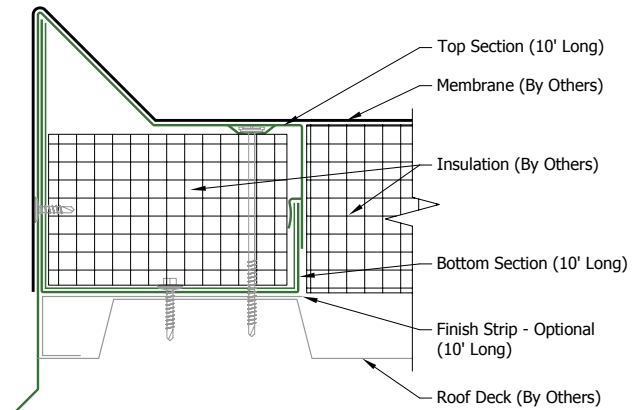
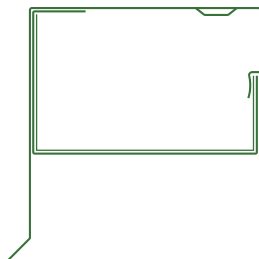
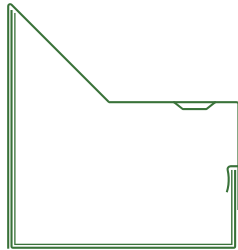
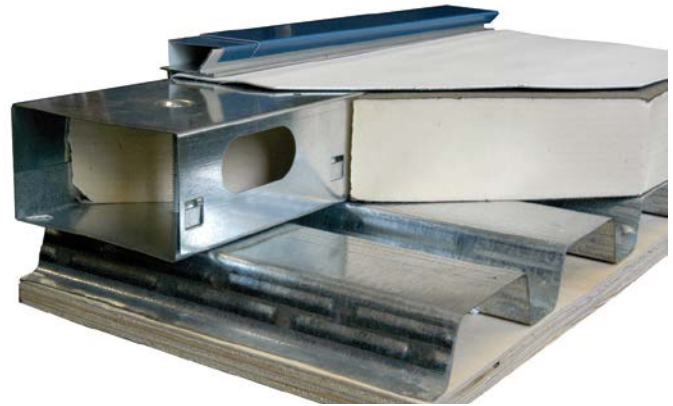
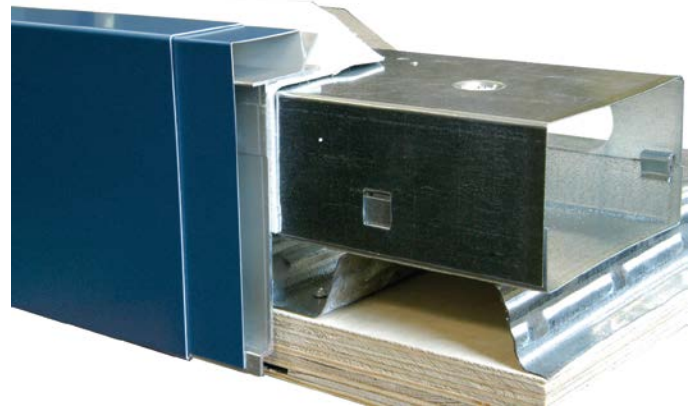
- EcoEdge products are fabricated from aluminum for superior corrosion resistance. Stainless Steel is available upon request.
- Pre-punched slotted holes for soil retention and easy drainage.
- The Soil Guard is available in two standard sizes of 3" x 4" and 6" x 8" to accommodate four different soil depths. Special sizes upon request.
- The Drain Box is available in 4.5" or 8" standard box heights. Special dimensions available upon request. Removable cover designed for easy access to roof drains.



EDGEBOX™

EdgeBox™ is an innovative new product that is an engineered metal replacement system for wood blocking often necessary at the roof's edge.

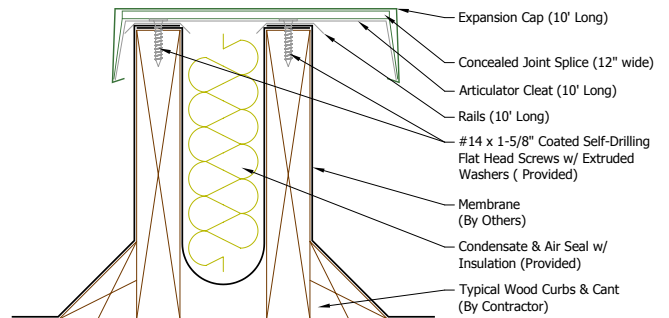
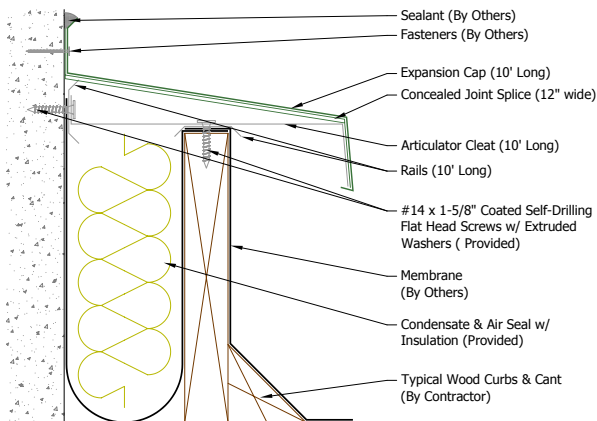
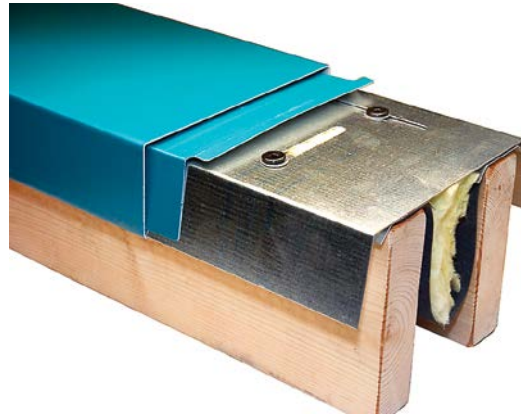
- Replaces traditional wood blocking or nailers at the perimeter of a low-slope roof.
- Eliminates concerns about fastener corrosion in ACQ treated wood. No rotting, insect damage or mold.
- Provides a retainer for lightweight concrete or rigid insulation. Allows for rapid flow and fill of lightweight concrete and eliminates thermal gap at roof edge.
- Includes pre-punched holes and supplied fasteners for proper attachment and fast installation.
- The system is available in two different variations (Box or Cant) and with or without a cleat.



PERMASPAN™ EXPANSION JOINT SYSTEM

Hickman's Permaspan™ Expansion Joint System features a metal cap for ease of installation and improved aesthetic appearance. Sheet metal construction offers maximum protection and versatility. Standard sizes to fit expansion joint opening of 2", 3" or 4". Custom sizes upon request.

- Unique articulatory cleat permits lateral and longitudinal movement.
- Weatherproof cap locks onto cleats without exposed fasteners.
- Available in roof-to-roof and roof-to-wall expansion joint systems.
- Fasteners supplied for proper attachment.



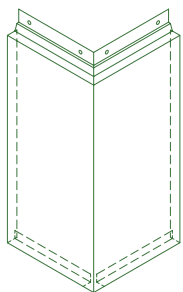
ACCENT PANELS

Hickman Accent Panels are custom plate panels that are available as a solution in vertical wall or fascia or soffit applications where a flat modular aesthetic is designed. The interlocking panels are customized to the dimensions required and are available in an array of materials, colors, and finishes. Hickman has two basic panel designs: a wet seal (joint reveal between panels is sealed by installer with backer rod and caulk) and dry seal (joint with open reveal and no caulk). The panels can be applied in either single or multi-row configurations.

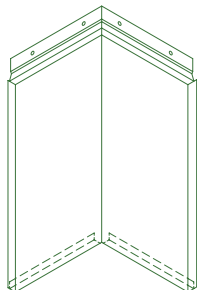
- Heavy gauge .125" thick aluminum for smooth appearance. Other gauges available upon request.
- Custom sized to fit existing job conditions.
- Pre-punched holes and supplied fasteners for proper attachment and fast installation.
- True welded radius panels available.
- Matching corners, trims, and other accessories available.



CAULK FREE PANEL DESIGN

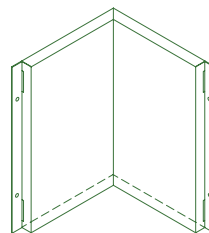
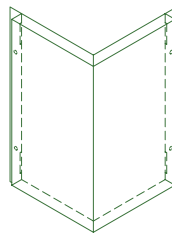


OUTSIDE CORNERS



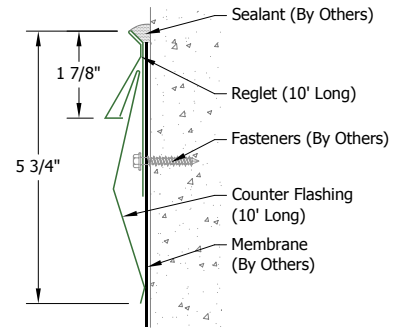
INSIDE CORNERS

CAULKED JOINT PANEL DESIGN



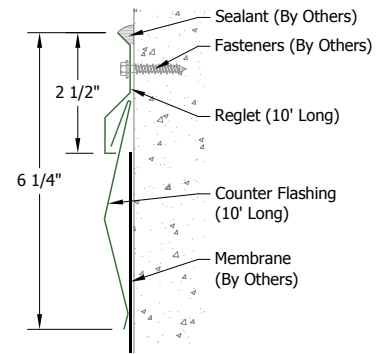
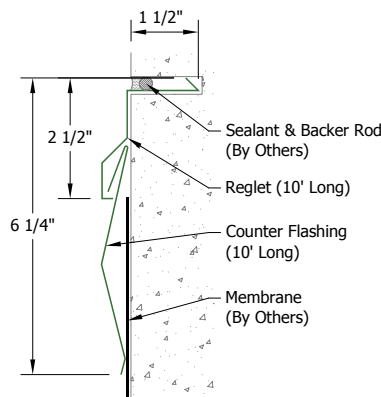
CONCEALED MOUNT COUNTER FLASHING

Hickman's surface mounted wall reglet permits fastener concealment under the continuous snap-on flashing skirt. An attractive and weatherproof counter flashing design.



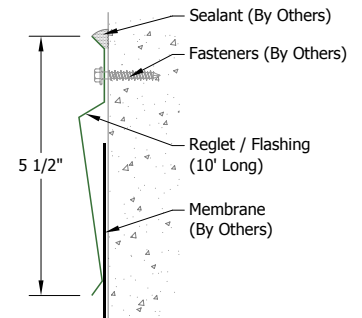
DRIVE-LOCK COUNTER FLASHING

Hickman's two-piece counter flashing system with reglet mounted counter flashing. Snap-on metal skirt flashing can be removed for re-roofing or maintenance. In-wall version is shown here and To-wall version is shown on far right.



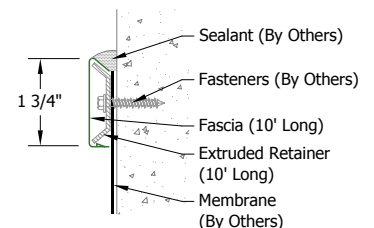
SURFACE-MOUNT COUNTER FLASHING

Hickman's standard one-piece design. Sections easily overlap for continuous counter flashing of wall terminated roofing. Fast installation. Pre-punched fastener holes at 12" on-center.



SNAP-ON FACING COUNTER FLASHING

Hickman's continuous wall retainer bar secures roofing to the wall or blocking with fasteners holes 12" on-center. Snap-on metal fascia cover conceals fasteners. Attractive clean lines with your choice of standard Kynar 500® colors.





HILTON ORLANDO BONNET CREEK RESORT

Orlando, FL

Rep: Metro Roof Services of Central Florida, Inc.

Architect: Smallwood, Reynolds, Stewart, Stewart Architecture

Contractor: McEnany Roofing

Material: Permasnap Coping in custom color

Form + Function: This beautiful resort in the heart of central Florida didn't have to sacrifice style to achieve a roof edge design that meets high wind uplift requirements. Hickman's Permasnap Coping System is engineered to stay on the building and looks great, too!



THE MONON CENTER WEST

Carmel, IN

Rep: Engineered Systems, IN

Architect: Williams Associates Ltd.

Contractor: HRC Roofing & Sheet Metal Co.

Materials: Permasnap coping and custom column covers in "Silver Metallic" color

Silver Shine: Hickman's Permasnap Coping and custom column covers were all finished in a beautiful silver metallic Kynar paint to provide a long-lasting shiny frame to the brick building. The clean lines also follow flowing radiused curves in some areas, continuing the metallic edge at the roof line—a gorgeous transition from where the building meets the sky.



UNIVERSITY HIGH SCHOOL

Carmel, IN

Rep: Engineered Systems, IN

Architect: OWP/P Architects

Contractor: Horning Roofing & Sheet Metal

Materials: Permasnap coping and custom accent panels

Modern + Tough: Hickman's Accent Panels are thick .125" aluminum and are designed for vertical applications. The pre-punched rigid interlocking panels can be customized to fit a wide range of applications. Their smooth appearance, often assembled in a grid, provides a contemporary look as an accent to a building.



WORLD OF COCA-COLA

Atlanta, GA

Rep: Compton Sales

Architect: Rosser International

Contractor: Peach State Roofing

Materials: Permasnap coping

Stayed on Strong: A tornado swept through downtown Atlanta in 2008, proving you just never know where severe weather can strike. The Hickman edge metal on the new World of Coca-Cola had been installed not long before the tornado hit and survived the storm with no damage. Poorly designed and improperly installed roof edges have the potential to blow off or even become projectiles when strong winds.

COLORS

				
Ascot White*	Sandstone*	Mission Red	Siam Blue	Mint Green
				
Bone White*	Champagne**	Bright Red	Slate Blue	Hemlock Green
				
Dove Gray*	Concord Cream	Redwood	Turquoise	Patina Green
				
Silversmith**	Rawhide	Boysenberry	Regal Blue	Forest Green*
				
Shale Gray	Sierra Tan	Chocolate Brown	Statuary Bronze*	Hartford Green
				
Rocky Gray	Coppertone**	Antique Patina**	Black	Medium Bronze*

KYNAR aluminum in .032", .040" and .050". Galvanized steel in 24- and 22-gauge. Both are coated with Kynar 500® and carry a 30-year warranty.

*These colors also available in pre-finished .063" aluminum.

**Premium colors available in pre-finished 24-gauge galvanized steel, as well as .032" and .040" aluminum.

Spray-applied Kynar 500® finish is available in standard and custom colors with limited 20-year warranty. Anodic and other special finishes are also available.

Color samples printed here are approximations. For exact colors, request an actual swatch from the factory. Other colors can be matched per your specifications. Contact your local Hickman Sales Representative or the Hickman office for details.

FINISHES

Coil-coated Kynar®	Best performance and color match
Spray applied Kynar®	Custom color and gauge
Coil Anodized	Most consistent anodize shades
Batch Anodized	Custom gauge and color Shade variation between pieces
Mill Finish	Natural or bare metal

MATERIALS

22–24 gauge Galvanized Steel
.032"–.125" Aluminum

Copper, Stainless Steel, Zinc and other architectural metals also available.

HICKMAN'S THREE-TIER WARRANTY PROGRAM

Hickman Engineered Systems offers three warranties:

- 25 Year Category 5 Warranty—up to 155 mph
- 20 Year Excel Warranty—up to 110 mph
- 5 Year Standard Limited Warranty—material and workmanship

Please contact Hickman for full warranty details.

